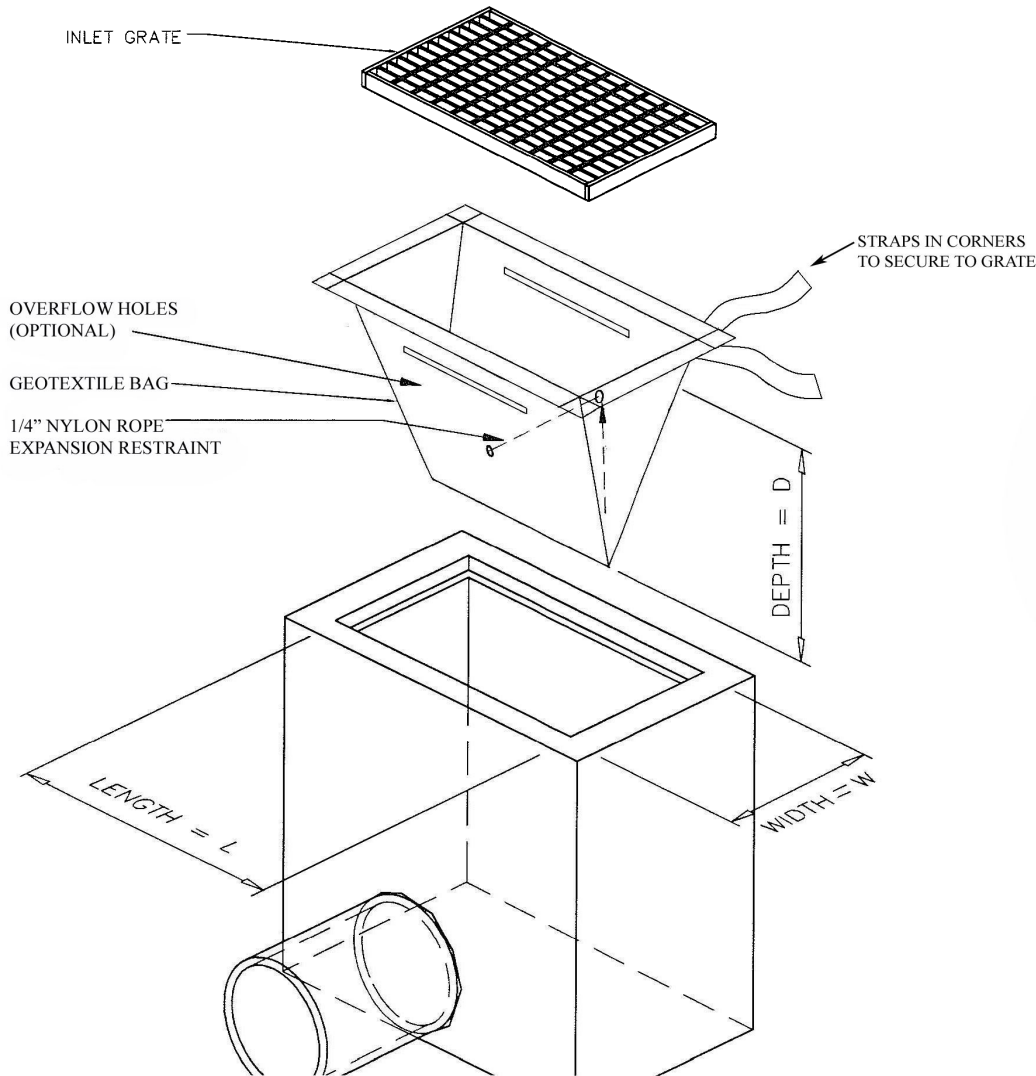


# Grate Inlet Sacks

## GEOTEXTILE DATA SHEET



STYLE 2098

### TYPICAL PROPERTIES

|                                     |                     |
|-------------------------------------|---------------------|
| FABRIC MATERIAL                     | POLYPROPYLENE       |
| Color                               | Black               |
| Construction                        | 28 EPI x 19 PPI     |
| Weight, oz. / sy.                   | 6.2                 |
| Tensile Strength, lbs.              | 300 Warp x 200 Fill |
| Elongation                          | 30%                 |
| Puncture                            | 120 lbs.            |
| Trapezoid Tear                      | 65 lbs.             |
| Mullen Burst                        | 450 lbs.            |
| AOS                                 | # 40 Sieve          |
| Water Flow Rate                     | 50 gal. / sq. ft.   |
| UV Resistance<br>Strength Retention | 90% after 500 Hours |

The above properties are minimum typical averages.